

**ACCESSORIES AVAILABLE  
ACCESORIOS DISPONIBLES  
ACCESSOIRES DISPONIBLES**

BC601	4 oz. Bostitch Air -Tool Lubricant
BC602	1 pint Bostitch Air -Tool Lubricant
BC603	1 pint Bostitch "Winter-Formula" Air-Tool Lubricant
BC604	1 quart Bostitch Air -Tool Lubricant
851385	Loctite Grade 242 (.02 oz.)

# BOSTITCH®

## N58C

**COIL-FED PNEUMATIC NAILER  
CLAVADORA NEUMÁTICA ALIMENTADA POR ROLLO  
CLOUEUR PNEUMATIQUE À ENROULEMENT**



**TOOL PARTS ILLUSTRATION  
ILUSTRACIÓN DE LAS PIEZAS DE LA HERRAMIENTA  
ILLUSTRATION DES PIÈCES D'OUTILLAGE**

**⚠ WARNING:**

**⚠ ADVERTENCIA:**

**⚠ ATTENTION:**

**BEFORE PERFORMING REPAIRS ON THIS TOOL, ALL OPERATORS SHOULD STUDY THIS ILLUSTRATION, AS WELL AS THE PARTS LIST AND OPERATION AND MAINTENANCE MANUAL. OPERATORS SHOULD UNDERSTAND AND FOLLOW ALL SAFETY WARNINGS AND INSTRUCTIONS. KEEP THIS ILLUSTRATION WITH THE TOOL FOR FUTURE REFERENCE. IF YOU HAVE ANY QUESTIONS, CONTACT YOUR BOSTITCH REPRESENTATIVE OR DISTRIBUTOR.**

**ANTES DE LLEVAR A CABO CUALQUIER REPARACIÓN EN LA HERRAMIENTA, TODOS LOS OPERARIOS DEBERÁN ESTUDIAR ESTA ILUSTRACIÓN, ASÍ COMO LA LISTA DE PIEZAS Y EL MANUAL DE OPERACIÓN Y MANTENIMIENTO. LOS OPERARIOS DEBERÁN ENTENDER Y SEGUIR TODAS LAS ADVERTENCIAS E INSTRUCCIONES DE SEGURIDAD. CONSERVE ESTA ILUSTRACIÓN CON LA HERRAMIENTA PARA PODER CONSULTARLA EN LO FUTURO. SI TUVIERA ALGUNA PREGUNTA, PONGASE EN CONTACTO CON SU REPRESENTANTE O DISTRIBUIDOR DE BOSTITCH.**

**AVANT DE PROCÉDER À LA RÉPARATION DE CET OUTIL, LES OPÉRATEURS DOIVENT ÉTUDIER LA PRÉSENTE ILLUSTRATION AINSI QUE LA LISTE DE PIÈCES ET LE MANUEL D'INSTRUCTIONS ET D'ENTRETIEN ; ILS DOIVENT ÉGALEMENT COMPRENDRE ET OBSERVER LES CONSIGNES DE SÉCURITÉ ET LES INSTRUCTIONS. CONSERVER CETTE ILLUSTRATION AVEC L'OUTIL POUR RÉFÉRENCE FUTURE. SI VOUS AVEZ DES QUESTIONS, COMMUNIQUEZ AVEC VOTRE REPRÉSENTANT OU VOTRE DISTRIBUTEUR DE BOSTITCH.**

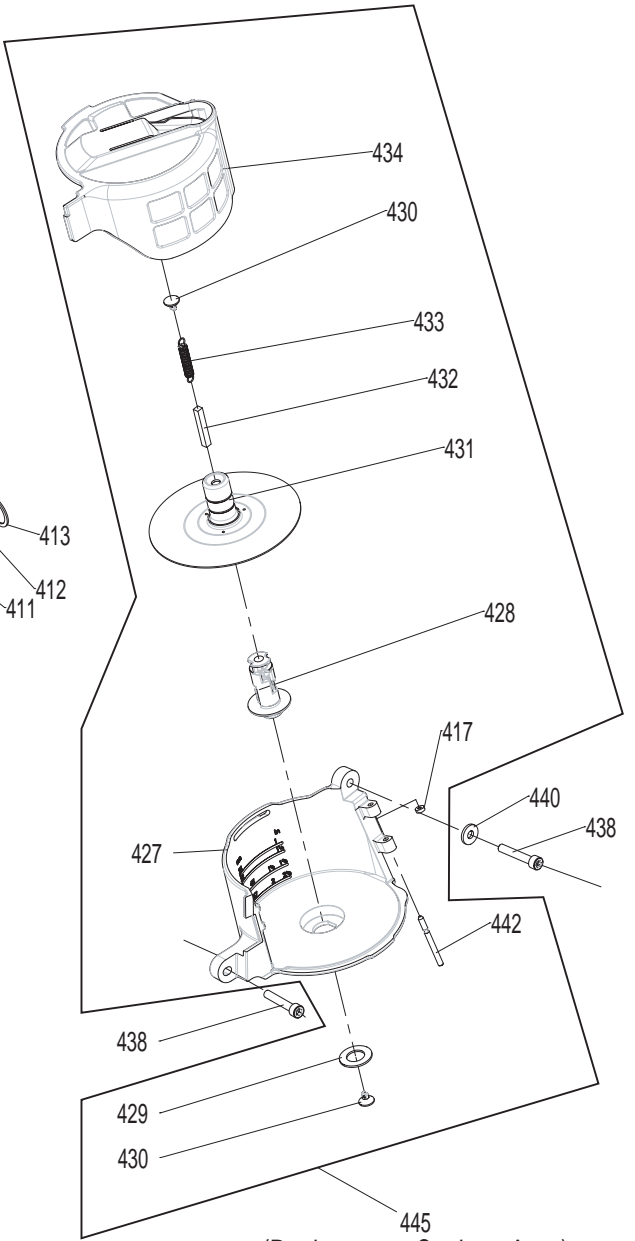
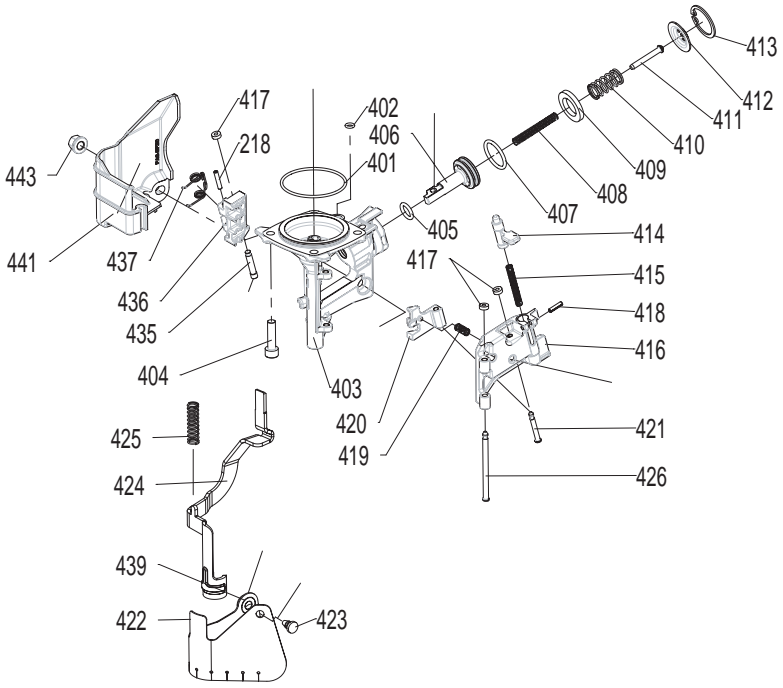
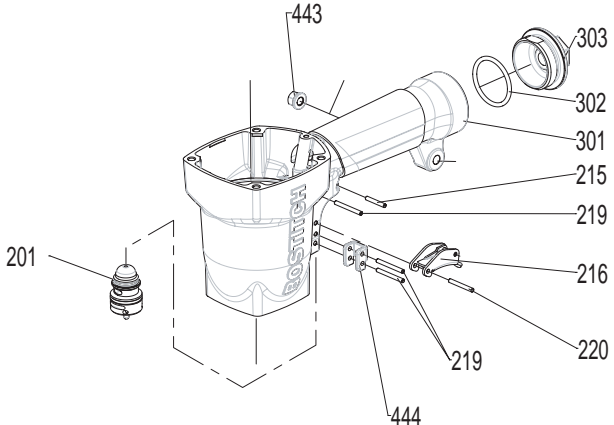
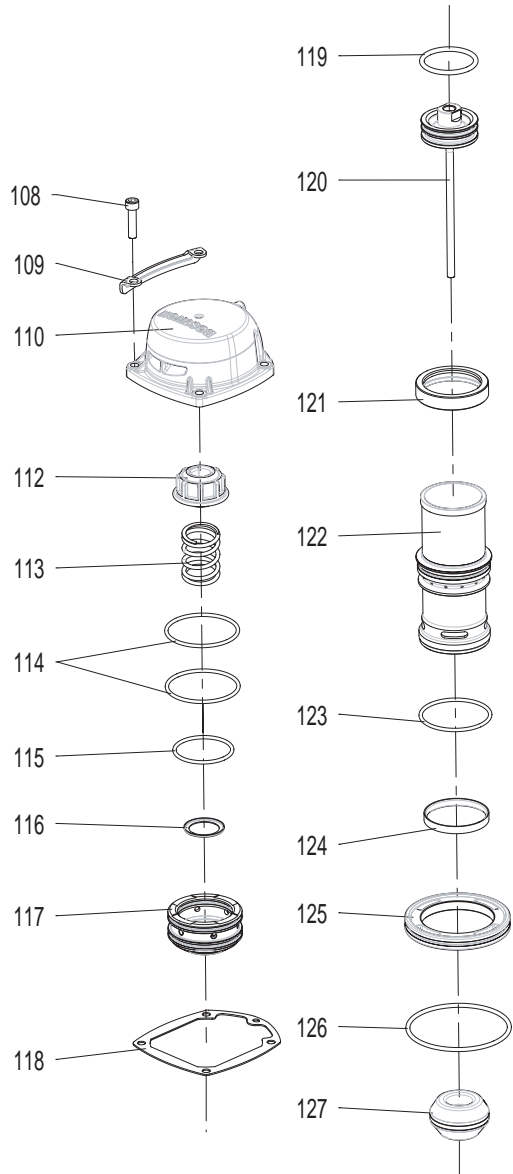
IP1192-1REVB 8/05

**BOSTITCH®**  
Stanley Fastening Systems L.P.

See reverse side for available accessories (not included)

# N58C

**COIL-FED PNEUMATIC NAILER**  
**CLAVADORA NEUMÁTICA ALIMENTADA POR ROLLO**  
**CLOUEUR PNEUMATIQUE À ENROULEMENT**



(Replacement Canister Assy)

**BOSTITCH**

	<b>N58C</b>	<b>Parts List:</b>	IP1192-2REVD		
		<b>To be Used with tool parts illustration:</b>	IP1192-1REVB		
		<b>and operation and maintenance manual:</b>	165360		
		<b>Serial Number on the Tool:</b>	N58C 8 102	<b>000 and Higher</b>	
<b>ITEM</b>	<b>PART #</b>	<b>DESCRIPTION</b>	<b>ITEM</b>	<b>PART #</b>	<b>DESCRIPTION</b>
108	MSC6100-30	SCREW,SHCS,M6X1.00X25	412	11366-0954701	SPRING COLLAR
109	11397-0954701	PROTECTOR, TOP FRAME	413	MRB026	RETAINING RING, METRIC
110	7USSB-3095001	CAP, SERVICE	414	N70150	LATCH DOOR
112	11370-0950001	BUMPER, TOP	415	101408	SPRING, COMPRESSION
113	854016	SPRING, HEAD VALVE	416	11361-0954701	DOOR
114	2041104-06050	O - RING	417	854004	WASHER
115	2041109-05100	O - RING	418	MPP030012	PIN, SPIROL
116	11381-0950002	WASHER	419	854011	COMPRESSION SPRING
117	11368-0950002	HEAD VALVE	420	11358-0954701	PAWL CHECK
118	11302-0954702	SEAL, METAL CYLINDER CAP	421	N55023	PIN, SPECIAL (STEP)
119	850607	O-RING, 1.484X.139	422	11383-0950001	SHIELD, DUST
120	11204-0950001	ASSEMBLY, DRIVER/PISTON	423	1134B-0864701	PLUG, DUST SHIELD
121	11399-0954701	SEAL, CYLINDER	424	11330-0954701	ARM, CONTACT
122	11320-0950002	SLEEVE, CYLINDER	425	11337-0954701	SPRING, COMPRESSION
123	850006	O-RING, 1.987X.103	426	N55022	PIN, SPECIAL
124	T60021	SEAL, CHECK	427	11354-0954701	CASE, CANISTER
125	11321-0950001	RING, CYLINDER	428	11357-0954701	POST, CANISTER
126	2041101-08020	O - RING	429	1138Y-0954701	RING, RUBBER
127	11327-0954701	BUMPER	430	1134M-0864701	BASE, SPRING
201	TVA6	KIT, TRIGGER VALVE	431	11356-0950001	SPACER
215	MPP030020	PIN, SPIRAL M3X20MM	432	1138W-0860001	SPACER
216	CNTK2	KIT, CONTACT TRIP CONVERSION	433	11328-0860001	SPRING, PULL
217*	SEQ6	KIT, SEQUENTIAL	434	11355-0954701	COVER, CANISTER
218	MPP030016	PIN, SPIRAL, M3X16MM	435	N50087	PIN, SPECIAL (STEP)
219	100298	PIN, SPIRAL, M3X30MM	436	11306-0954701	FEED PAWL
220	100298	PIN, SPIRAL, M3X30MM	437	854023	SPRING, TORSION
301	11230-0958001	FRAME	438	MSC6100-40	SCREW, SOC. HD. CAP M6X1.00X40
302	2041101-04020	O - RING	439	1135U-0864701	WASHER, PROTECTOR
303	11346-0954302	CAP, END	440	MPW6.2	WASHER, SPECIAL
401	2041109-05110	O - RING	441	1134R-0954701	GUARD
402	2041108-01010	O - RING	442	1136R-0954701	PIN, CANISTER
403	11382-0954701	CASTING, NOSE	443	2040501-04010	CAP, BOLT
404	MSC6100-25	SCREW, SHCS, M6X1.00X25	444	N70145	GUIDE, ARM
405	MRG009824	O-RING, .386X.094	445	7USSB-2095004	ASSEMBLY, CANISTER N58C
406	11364-0954701	FEED PISTON			
407	851437	O-RING, .819X.095			
408	11367-0954702	SPRING, COMPRESSION			
409	101723	BUMPER, FEED PISTON			
410	11367-0954701	SPRING, COMPRESSION			
411	11395-0954701	SPRING GUIDE			
					<b>ACCESSORIES AVAILABLE</b>
				BC601	4 OZ. BOSTITCH AIR-TOOL LUBRICANT
				BC602	1 PINT BOSTITCH AIR-TOOL LUBRICANT
				BC603	1 PINT BOSTITCH "WINTER-FORMULA" AIR-TOOL LUBRICANT
				BC604	1 QUART BOSTITCH AIR-TOOL LUBRICANT
				100679	O-RING LUBE (1 LB. CAN)
				851325	LOCITE GRADE 271 (.02 OZ.)
				851385	LOCITE GRADE 242 (.02 OZ.)
				CNTK2	KIT, CONTACT TRIP CONVERSION (BLACK TRIGGER)
				TVA6	TRIGGER VALVE ASSEMBLY
				SEQ6	KIT, SEQUENTIAL TRIP CONVERSION (GRAY TRIGGER)