

PN816

---



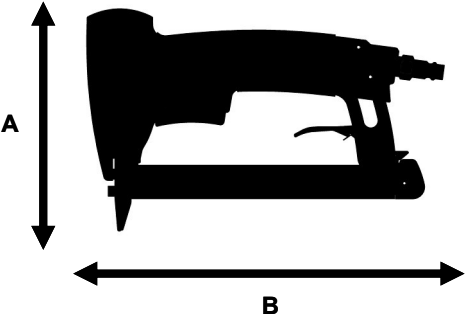

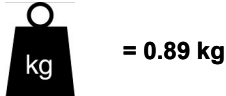
**Scope of delivery/ Lieferumfang/ Leveringsomvang/ Eléments livrés/ Ambito de aplicación/ Medidas de fornecimento/ Consegna/ Levering/ Leveransinnehåll/ Levering/ Pakkauksen sisältö/ Komplektis sisaldub/ Zakres doręczenia/ Obsah balení/ Szállítási/ Obseg dobave/ Dostava**



<b>Model: PN816</b> <b>Actuation: Sequential</b> <b>No.: 576282</b>			
<b>No.: 576286</b>			
<b>No. 576285</b>	<b>No. 617244</b>		

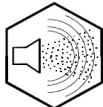

**Accessories/ Zubehör/ Accessoires/ Accessoires/ Accesorios/ Acessórios/ Accessori/ Tilbehør/ Tillbehör/ Tilbehør/ Tarvikkeet/ Lisatarvikud/ Akcesoria/ Příslušenství/ T artožekok/ Dodatki/ Pribor**


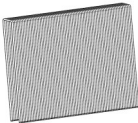

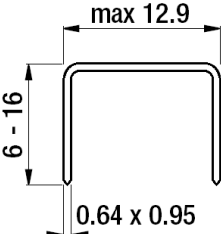
<b>No. 151299</b>
<b>oil — spray 500ml</b>

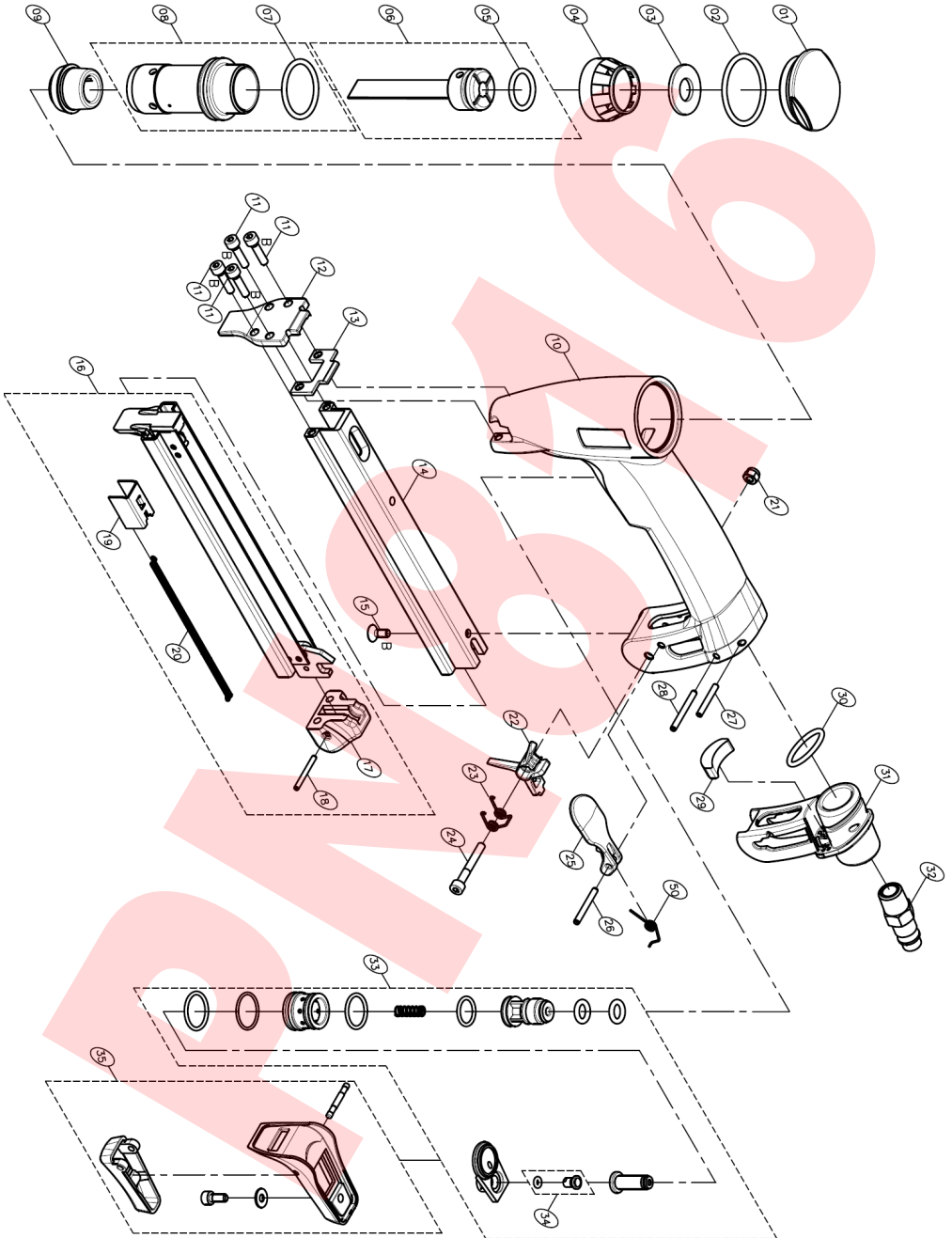
*Technical Specifications/ Technische Daten/ Technische specificaties/ Caractéristiques techniques/ Especificaciones técnicas/ Especificações técnicas/ Specifiche tecniche/ Teknisk specifikation/ Tekniska specifikation/ Tekniske spesifikasjoner/ Tekniset tuotetiedot/ Tehniline spetsifikatsioon/ Opis techniczny/ Technická specifikace/ Műszaki adatok/ Tehnična specifikacija/ Tehnička specifikacija*

		<p><b>A = 144 mm</b>  <b>B = 232 mm</b>  <b>C = 43 mm</b></p>
		

 <p>Min. 4,0 bar Max. 7,0 bar</p>	<p>0,31 l (6 bar) / </p>
<p>Ps max. = 7,0 bar</p>	

 <p>EN 12549+EN ISO 4871</p>	<p><b>L WA.1s = 88,9 dBA</b>  <b>L pA.1s = 73,0 dBA</b>  <b>L pA.1s1m = 75,9 dBA</b></p>
 <p>ISO 8662-11</p>	<p><b>Vibration = 1,98 m/s<sup>2</sup></b></p>

<p>150 x  =  </p>	<p>max 12.9</p>  <p>Series: KL800</p>
<p>Use haubold staples only</p>	



No.:	Code:	Name:	No.:	Code:	Name:
01	617857	CAP	19	576431	PUSHER
02	617858	O RING	20	617876	SPRING
03	576415	PISTON STOPPER	21	401254	LOCK NUT
04	576416	COLLAR	22	617877	LATCH
05	576417	O RING	23	576432	SPRING
06	576418	DRIVER ASSEMBLY	24	576433	SCREW
07	576419	O RING	25	576434	RELEASE LEVER
08	576420	CYLINDER ASSEMBLY	26	576435	PIN
09	576421	BUMPER	27	576436	PIN
10	576422	BODY	28	576437	PIN
11	576423	SCREW	29	576438	MUFFLER
12	576424	NOSE	30	576439	O RING
13	576425	SET PLATE	31	576440	END CAP
14	576426	MAGAZINE	32	576441	AIR PLUG
15	576427	SCREW	33	576442	SPRING
16	576428	STAPLE GUIDE ASSEM	34	617889	TRIGGER VALVE STEM
17	576429	PU COVER	35	617890	TRIGGER ASSEMBLY
18	576430	PIN	50	617891	SPRING