

AKHL1260E

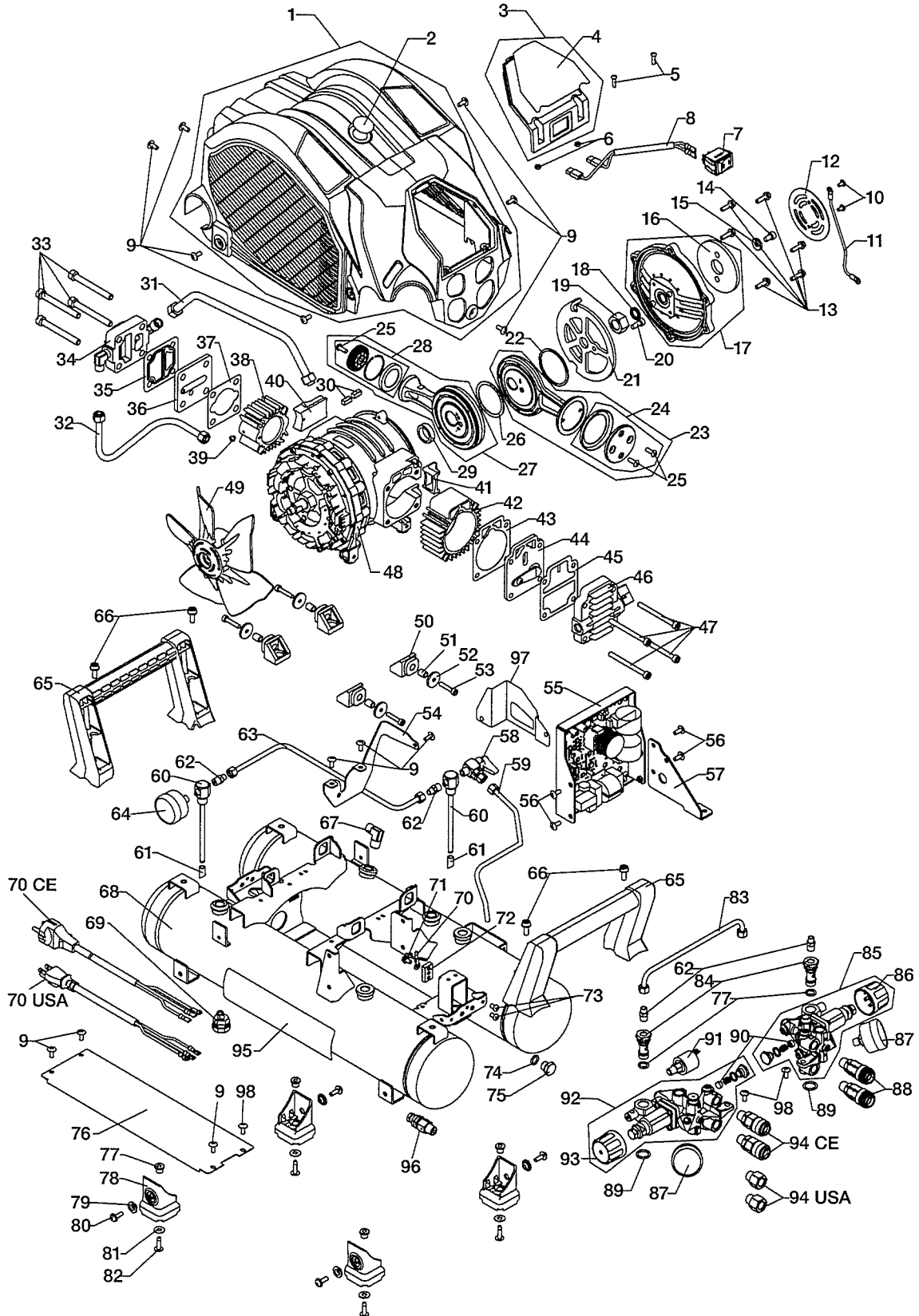
EXPLODED
VIEW AND SPARE
PARTS LIST

SCHEMA ECLATE ET
LISTE DES PIECES
DE RECHANGE

DESPIECE DE LA
MAQUINA Y LISTA
DE RECAMBIOS

EINZELTEILDAR-
STELLUNG UND
ERSATZEILLISTE

ESPLOSO DEI
COMPONENTI DE
ELENCO DELLE
PARTI DI RICAMBIO



| | CODE | DESCRIPTION |
|----|---------|--|
| 1 | AK70678 | COVER ASSY 1260E |
| 2 | AK15952 | GATE LABEL 1260E |
| 3 | AK70674 | SWITCH PANEL ASSY 1260E |
| 4 | AK15915 | PANEL LABEL 1260E |
| 5 | AA21157 | PAN HEAD SCREW 4X15 |
| 6 | CC41103 | HEX. NUT 1-4 |
| 7 | AK14857 | POWER SWITCH ASSY |
| 8 | AK15949 | SWITCH WIRE ASSY 1260E |
| 9 | AA34805 | SCRW 5X12 |
| 10 | BB40448 | BOLT 4 X 6 T29036/T29062(REPLACES TA15543) |
| 11 | AK15774 | MORTOR WIRE |
| 12 | AK15293 | FILTER RETAINER |
| 13 | BB43804 | SCREW 5X18 |
| 14 | BB40416 | SCREW 6X10 |
| 15 | EE39836 | WASHER 6.2X17X3 |
| 16 | AK15292 | FILTER ELEMENT |
| 17 | AK70546 | CRANKCASE CAP ASSY |
| 18 | AK14617 | SHAFT COLLAR |
| 19 | CC41107 | NUT 1-16 P1.5 |
| 20 | BB40436 | HEX.BOLT 6 X 14 |
| 21 | AK15117 | FLYWHEEL BALANCER |
| 22 | AK15137 | 6910 STOPPER |
| 23 | AK70418 | CONNECTING ROD UNIT 60 KIT |
| 24 | AK81332 | LIP RING MAINTENANCE KIT 1260E |
| 25 | BB86702 | HEXALOBULAR SOCKET HEAD CAP BUTTON BOLT 5X14 |
| 26 | AK15288 | 6009 STOPPER |
| 27 | AK70419 | CONNECTING ROD UNIT 40 KIT |
| 28 | AK81333 | LIP RING 40 MAINTENANCE KIT |
| 29 | AK15861 | MOTOR AXIS COLLAR |
| 30 | AK15300 | KEY 6X6X13.5 |
| 31 | AK81298 | INTERMEDIATE PIPE UNIT |
| 32 | AK81334 | DISCHARGE PIPE UNIT 1260E |
| 33 | BB40837 | SCREW 8X70 |
| 34 | AK81335 | CYLINDER HEAD S ASSY 1260E |
| 35 | AK14143 | HEAD SEAL S |
| 36 | AK70393 | VALVE SEAT UNIT S |
| 37 | AK14138 | CYLINDER SEAL S |
| 38 | AK15266 | CYLINDER S |
| 39 | AA21571 | PAN HEAD SCREW 4X4 |
| 40 | AK14568 | CRANKCASE SEAL S |
| 41 | AK14567 | CRANKCASE SEAL F |
| 42 | AK15082 | CYLINDER F |
| 43 | AK14125 | CULINDER SEAL |
| 44 | AK70395 | VALVE SEAT UNIT S |
| 45 | AK14128 | HEAD SEAL F |
| 46 | AK81297 | CYLINDER HEAD F ASSY |
| 47 | BB40838 | SCREW 6X70 |
| 48 | AK70594 | DC BRUSHLESS MORTOR UNIT |
| 49 | AK70604 | COOLING FAN UNIT |
| 50 | AK15891 | DAMPER 1260E |
| 51 | AK15892 | DAMPER COLLAR 1260E |
| 52 | AK15893 | DAMPER HOLDER 1260E |
| 53 | BB40405 | BOLT 5X25 |
| 54 | AK15951 | WIND GUIDE PLATE |
| 55 | AK81336 | INVERTER UNIT 1260E CE |

| | | | |
|-----|---------|--|---------|
| 56 | AA24507 | PHILLIPS TRUSS HEAD SCREW 5X12 CF | |
| 57 | AK15950 | INVERTER HOLD PLATE 3 1260E | |
| 58 | AK14179 | DRAIN COCK | |
| 59 | AK70666 | EXHAUST PIPE UNIT 1110 | |
| 60 | AK70664 | DRAIN NIPPLE UNIT 1260E | |
| 61 | AK14180 | DRAIN TUBE | |
| 62 | TT07018 | JOINT MH-1061-OM | |
| 63 | AK81338 | DRAIN CONNECTING PIPE UNIT | |
| 64 | AK15926 | PRESSURE GAUGE 60BAR 1260E | |
| 65 | AK15920 | GRIP 1260E | |
| 66 | BB43101 | SCREW 6X16 | |
| 67 | TT07020 | JOINT ML-2082-SN-OM | |
| 68 | AK70649 | AIR TANK UNIT 1260E | product |
| 69 | AK15478 | STRAIN BUSHING SR-7W-2 | |
| 70 | AK15913 | POWER CORD 1260E CE | |
| 71 | AA03104 | SCREW 5X10 | |
| 72 | AK15462 | EARTHING BAR 1250 CE | |
| 73 | AA21114 | SCREW 5X8 | |
| 74 | HH11132 | O-RING 1AP10A CN65072 | |
| 75 | AK14678 | DETENT PLUG M12X1.5 LEFT | |
| 76 | AK15909 | UNDER COVER 1260E | |
| 77 | AK15139 | LEG RUBBER PIN | |
| 78 | AK15419 | LEG RUBBER | |
| 79 | AK14674 | DAMPER COLLAR | |
| 80 | AA02518 | PAN WASHER SCREW 5X16 | |
| 81 | EE39812 | PLANE WASHER 6.5X15X1 | |
| 82 | AA34808 | CROSS RECESSED TRUSS HEAD TAPPING SCREW 5X20 | |
| 83 | AK81339 | CONNECTING PIPE UNIT 1260E | |
| 84 | AK15116 | REG NIPPLE | |
| 85 | AK81340 | DELIVERY H ASSY 1260E | |
| 86 | AK15764 | HANDLE H | |
| 87 | AK15925 | PRESSURE GAUGE 35BAR 1260 | |
| 88 | TT05027 | AIR CHUCK HLL22M | |
| 89 | HH11187 | O-RING 1AP15 | |
| 90 | AK70628 | VALVE ELEMENT UNIT | |
| 91 | AK15756 | PRESSURE SENSOR IP66 | |
| 92 | AK81341 | DELIVERY L ASSY 1260E | |
| 93 | AK15763 | HANDLE L | |
| 94 | TT05025 | AIR CHUCK EURO | |
| 95 | AK15933 | RATING LABEL 1260E CE | |
| 96 | AK15456 | RELIEF VALVE 565PSI | |
| 97 | AK15966 | DRAIN GUARD | |
| 98 | AA34806 | SCREW 5X16 | |
| 100 | AK98290 | AKTH13 | product |
| 999 | AK14754 | 44-44K CONNECTING HOSE | |