

## ACCESSORIES

### Car Adapter

Enables you to re-charge your battery with your vehicle's electrical system.



Part No. 900507

### Battery Cell



Part No. 404717

### Paslode Cordless Lubricating Oil



Part No. 401482

### 5/32" Hex Key

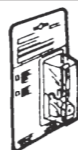
For clearing jams and servicing.



Part No. 401331

### No-Mar Work Contacting Element

Rubber tipped WCE to eliminate marring work surface. (Replacement rubber tip, Part No. 210610)



Part No. 012082

### Paslode Cordless Nailer Case

Part No. 404710

### Clear Safety Glasses



Part No. 014121

### Cordless Tool Cleaner

Ideal cleaner for all Paslode® tools.



Part No. 115251

### Battery Charger Kit

(Replacement Charger Base Only Part No. 035460)

(Replacement Transformer Only Part No. 900506 (UK))

(Replacement Transformer Only Part No. 900505 (EU))



Part No. 900200



An Illinois Tool Works Company  
Route de Lyon - BP 104  
F - 26501 Bourg Les Valence - Cedex France

014846-4  
10/11

**Paslode®**  
**Impulse®**

Part No. 014800 (UE)  
Part No. 014801 (UK)



# IM350+

### IMPORTANT! DO NOT DESTROY

Always refer to operating and safety instructions (#014845 & #014744) for detailed information on this tool. It is the customer's responsibility to have all operators and service personnel read and understand this information.

## TOOL SCHEMATIC AND PARTS

# PARTS LEGEND

**IM350+** Part No. 014800 (UE)  
Part No. 014801 (UK)

**IM350+** Part No. 014800 (UE)  
Part No. 014801 (UK)

2	900315	1	Filter	53	902239	1	Spring
3	900469	1	Fan Motor Assembly (Includes PC board, washer, flat retaining ring, motor mount, and retaining ring (curved))	54	900934	2	Steel Ring, Sleeve
				55	901204	1	Sleeve Assembly, includes rings
				56	404464	2	Rubber Stop
4	900300	1	Retaining Ring (flat)	57	404424	1	Reed Valve
6	900470	1	Motor Mount	58	404422	1	Muffler
7	401355	1	Retaining Ring (curved)	59	404423	1	Muffler Cover
8	901063	4	Shoulder Screw 10-24 x 1-1/2	60	902227	1	Utility Hook Button
9	401340	1	Stem Adapter	61	900596	6	Screw Thread Forming Sems 8-32 x 7/16
10	401356	1	Motor Sleeve	62	403816	2	Socket Head Capscrew 10-24 x 1-1/8
11	900286	1	Spark Plug Assembly, includes O-Ring	63	404445	2	Bushing, Shear Block
13	404453	1	Bracket, Cylinder Head	64	902223	1	Wear Plate, Nose
15	014882	1	Fuel Door Assembly	65	901249	1	Upper Probe
18	014880	1	Cylinder Head	66	902225	1	Lower Probe
19	900935	2	Seal Ring	67	900592	2	S.H.C.S. Sems 10-32 x 1/2
20	403167	1	Fan Blade Assembly	68	401380	1	Tie Bar
21	900474	1	Spark Unit Assembly	70	902203	1	Housing Assembly
22	013676	1	Molded Circuit Assembly	71	902237	1	Utility Hook
23	900478	1	Spark Plug Assembly Wire	→ 72	014885	2	Label
24	900231	1	Clip, Wire Spark Plug	73	902240	1	Retainer Ring, Sleeve
■ 25	403987	2	Screw Thread Forming 6-32 x 1/4	▲ 74	900593	3	S.H.C.S. Sems 10-24 x 5/8
26	902226	1	Handle Assembly Kit - Right & Left	75	403985	1	Follower
27	404448	1	Roller Lever Assembly	76	901415	1	Follower Bushing Spring Assembly
29	404702	2	Screw Thread Forming 6 x 3/8	77	901202	1	Retaining Ring
30	404436	1	Nail Channel	78	403986	1	Spring Pin
31	404441	1	Cover Plate Magazine	79	902204	1	Follower Guide
32	901222	2	Shoulder Screw 10-32 x 1/2	80	902205	1	Follower Button
→ 33	014884	1	Cap Assembly	81	404457	1	Spring
34	404412	1	Wear Plate, Chamber Lock	82	404922	2	Pad, Battery Contact
35	900453	4	Screw Plastite 8-16 x 7/8	83	401450	3	Foam Pad
37	014881	1	Magazine Channel	85	901240	1	Probe Release
■ 38	900594	4	S.H.C.S. Sems 8 - 32 x 1/2	86	404426	1	Exhaust Baffle
39	901241	1	Stop, Cage	87	404425	1	Reed Plate
40	404451	1	Lockout Bar, Follower	■ 88	900969	4	Torx Screw 8-32 x 5/8
→ 41	902250	1	Shear Block	89	900481	1	O-Ring
42	901238	1	Spring, Flat	91	902222	1	Combustion Chamber Ring
44	404435	1	Trigger	92	404407	1	Combustion Chamber
45	900269	1	Chamber Lock Bar	93	900595	2	Torx Screw Sems 8-32 x 3/8
46	404927	1	Spring, Trigger	95	014883	1	Nameplate
47	401328	1	Retainer ring	96	900427	1	Light Pipe
48	401461	2	Piston Ring	97	900468	1	Washer, Motor Shaft
49	404485	1	Piston Assembly, includes rings	98	404411	2	Spring
50	902233	1	Combustion Chamber Assembly	99	900546	1	Brass Insert
51	404827	2	Pin	100	900597	1	Screw Thread Forming Sems 6-19 x 3/8
52	404419	1	Bumper	101	902238	1	Utility Hook Spring

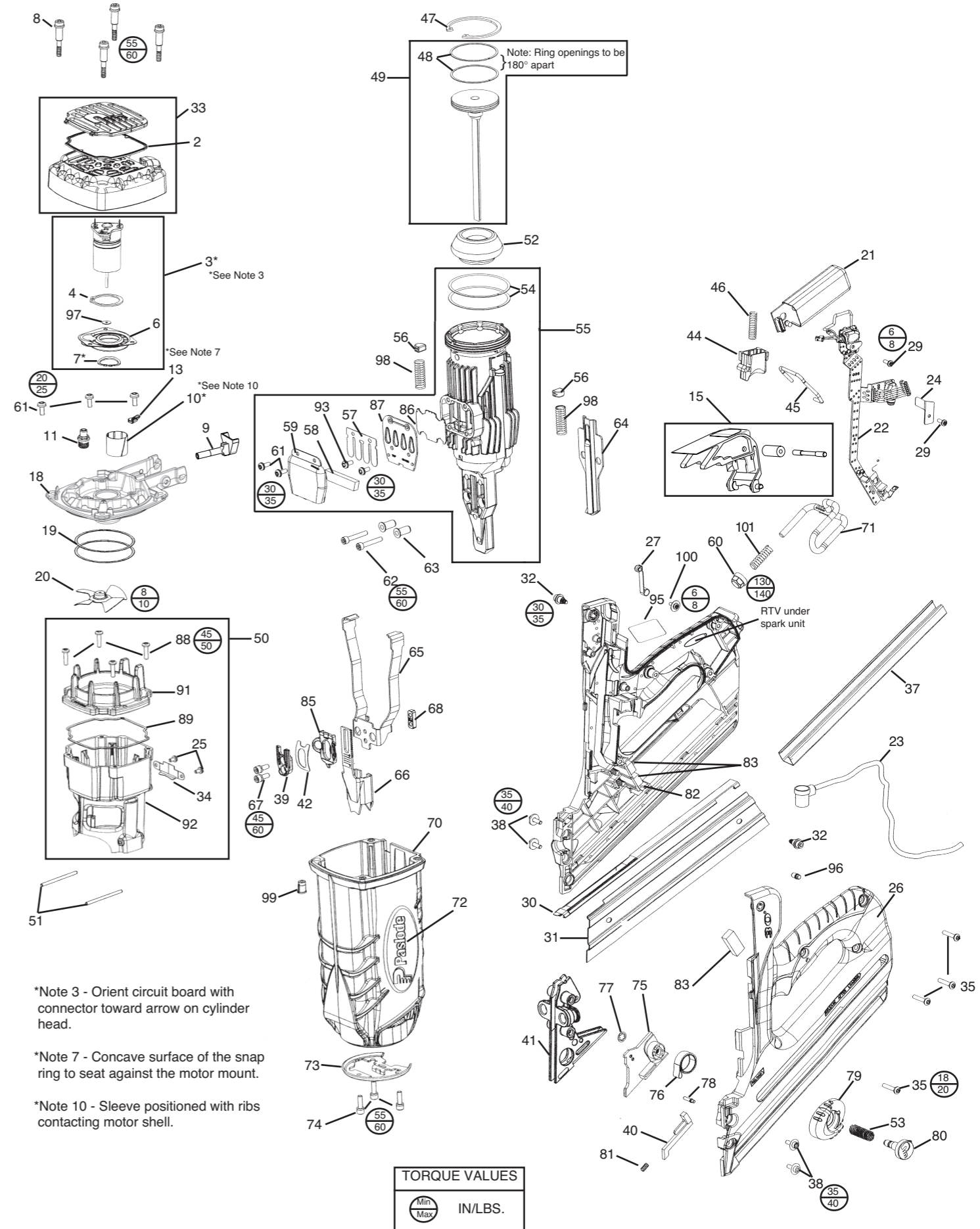
- Apply Loctite 242 (Blue)
- ▲ Apply Loctite RC-620 (Green)
- Denotes new change.

## SAFETY INSTRUCTIONS

WEAR EYE AND HEARING PROTECTION



Always wear hearing protection and eye protection devices, including sideshields when operating or working in the vicinity of a tool.



TORQUE VALUES	
Min	IN/LBS.
Max	