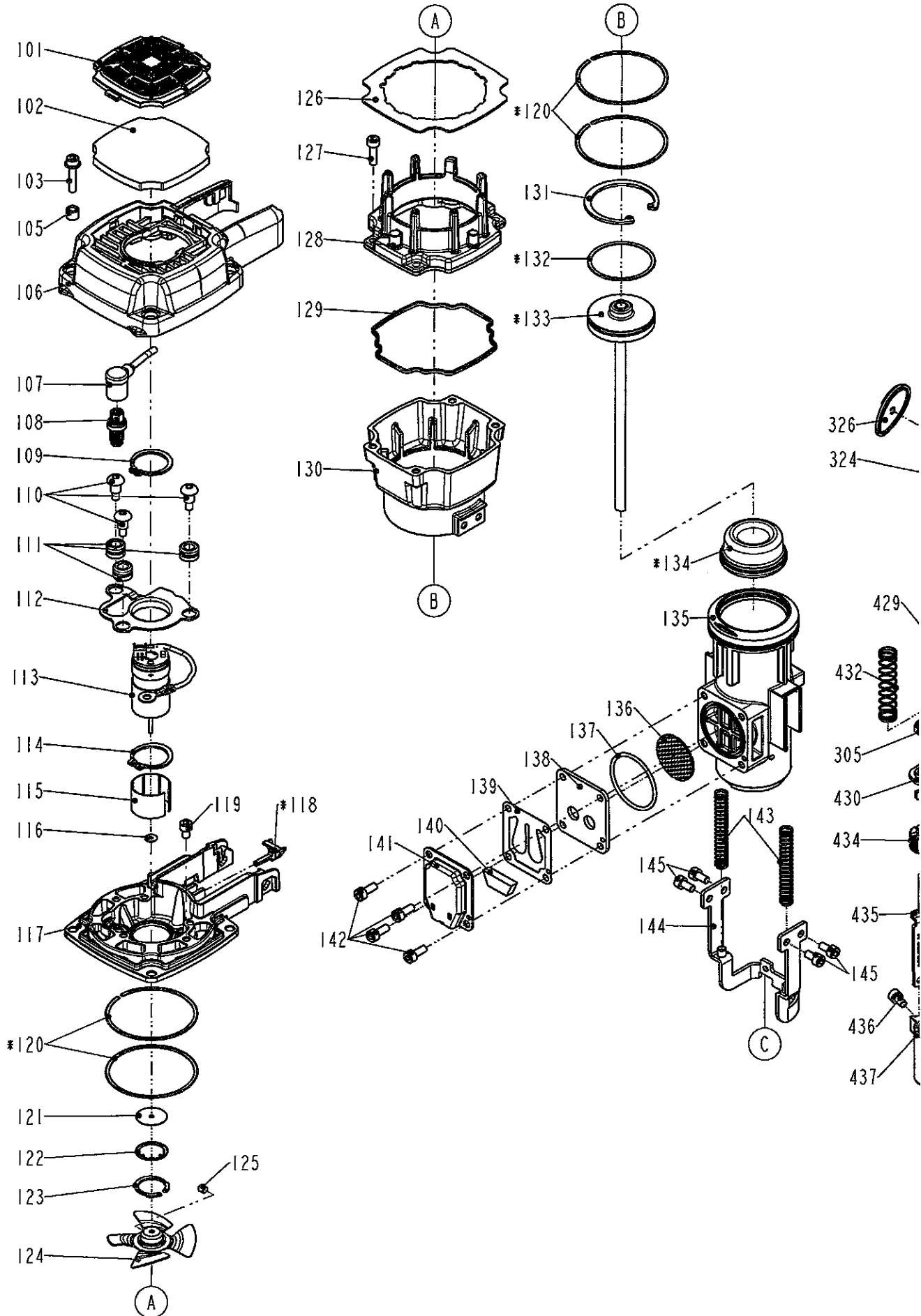
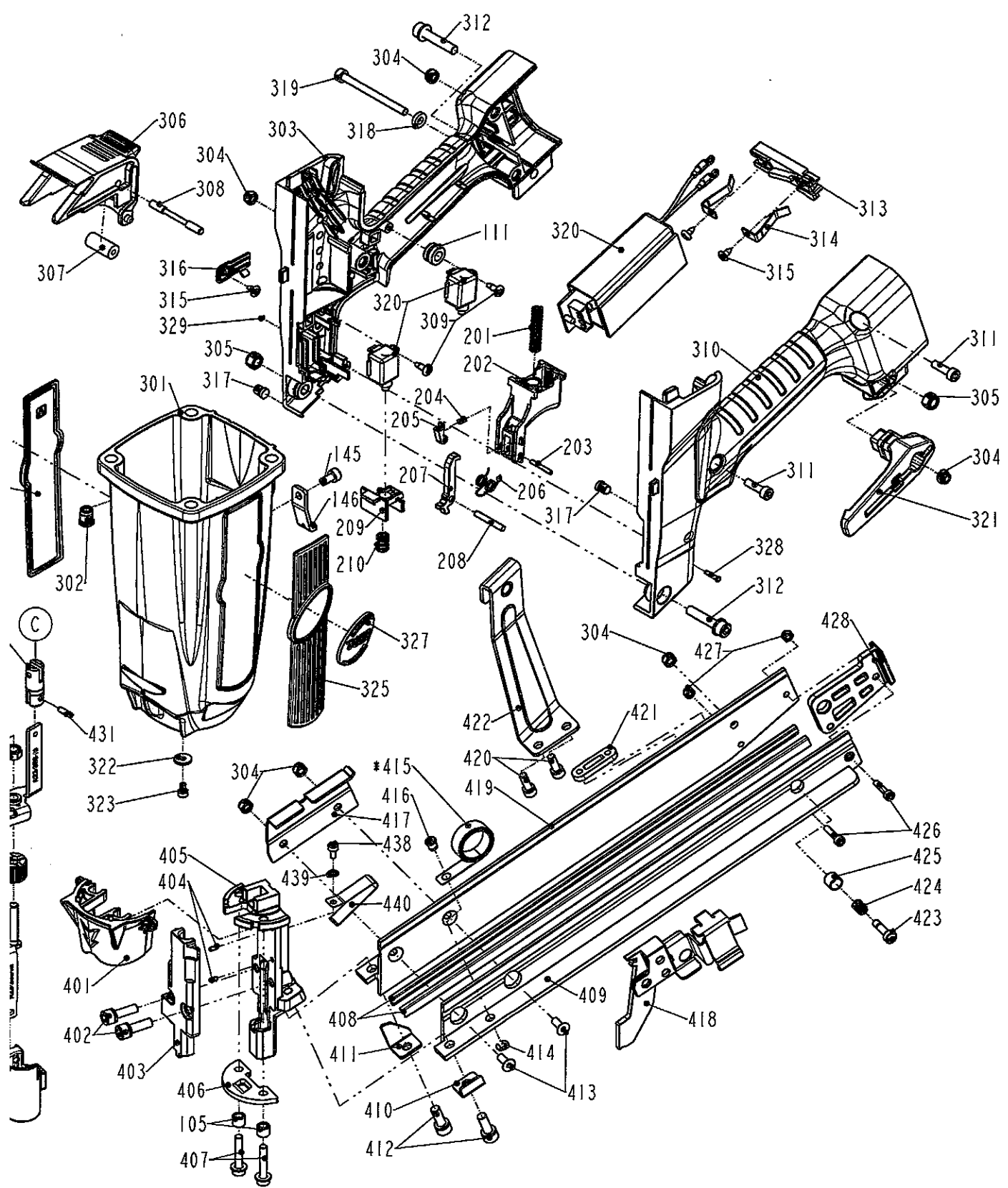


# TJEP HA-35 GAS 2G





# Accessories

ITEM NO.	PART NO.	DESCRIPTION
101	11371-0084705-1	DEFLECTOR
102	1121N-0080001-1	FILTER UNIT
103	2040100-02160-0	BOLT W/ FLAT WASHER
105	1136P-0084701-1	COLLOR
106	11369-008A201-1	CAP
107	11216-0080001-3	HIGH VOLTAGE CABLE SET
108	1120D-0084701-1	SPARKLER UNIT
109	2040301-17010-0	S - RING
110	1131R-0084701-1	SCREW
111	1134W-0084701-2	FEED BUMPER
112	11323-0084714-2	FAN MOTOR BRACKET
113	1120N-0080008-1	MOTOR UNIT
114	2040301-25010-0	S - RING
115	11398-1150002-1	SLEEVE MOTOR
116	11380-1150001-1	WASHER-MOTOR SHAFT
117	1139U-0080003-1	END CAP-COMBUSTION CH
118*	113A6-1153901-2	FUEL STEM ADAPTER
119	2040101-02020-5	HEX.SOC.HD.BOLT
120*	11350-0084701-1	PISTON RING-CYLINDER
121	1136X-1150001-1	SEAL
122	11323-1150003-1	SEAL PLATE-MOTOR
123	2040303-35010-0	IN-CONCENTRIC RING
124	1120C-0080001-1	COOLING FAN ASSEMBLY
125	2040104-02010-2	HEX.SOC.HD.SCREW
126	1133X-0084705-1	SPACER
127	2040101-02070-2	HEX.SOC.HD.BOLT
128	113AE-0080001-2	UPPER COMBUSTION CHAMBER
129	1132M-0084704-1	PACKING
130	1139V-0080001-1	COMBUSTION CHAMBER
131	2040300-06010-0	C - RING
132*	11350-0084702-1	PISTON RING
133*	11204-1850003-1	DRIVER UNIT
134*	11327-0084703-1	BUMPER
135	11320-1850001-1	CYLINDER
136	1139W-0460001-1	EXHAUST MESH PLATE
137	2041102-04041-0	O - RING
138	113A0-0080001-1	EXHAUST BAFFLE
139	1139X-0080001-1	REED VALVE

ITEM NO.	PART NO.	DESCRIPTION
140	1139L-0080002-1	CLEANER B
141	113A3-0080001-1	DEFLECTOR
142	2040101-02040-2	HEX.SOC.HD.BOLT
143	11337-0084704-1	SAFETY SPRING
144	11257-0084712-1	SAFETY C UNIT
145	2040101-02030-2	HEX.SOC.HD.BOLT
146	113AH-0084702-1	MOTOR FAN SWITCH LEVER
201	11319-0084701-1	SPRING
202	11316-139A201-1	TRIGGER
203	2040403-03080-0	PIN
204	1138J-0394701-1	GUIDE LOCATING SPRING
205	11305-1394701-1	STOPPER
206	11315-0080001-1	SPRING
207	11335-1394702-1	SAFETY
208	2040403-05110-0	PIN
209	1137F-0084701-1	LINK-BLOCK
210	1137T-0084701-1	SPRING
301	11384-0084705-1	GUN BODY
302	11398-0080008-1	CAP NUT
303	11233-0084707-1	HANDLE A UNIT
304	2040500-02020-0	LOCK NUT
305	2040500-03010-0	LOCK NUT
306	113A7-0084701-2	FUEL ACTUATOR
307	11398-1154701-1	BUSH-FUEL ACTUATOR
308	11325-1154702-1	PIN-FUEL ACTUATOR
309	2040107-01120-0	TAP BOLT
310	11233-0084708-1	HANDLE B UNIT
311	2040101-02070-0	HEX.SOC.HD.BOLT
312	2040100-03130-0	BOLT W/FLAT WASHER
313	1136H-1154701-1	BATTERY NODE BRACKET
314	113A8-1150001-1	BATTERY NODE
315	2040107-01040-0	TAP BOLT
316	11323-0464704-1	WIRE HARNESS PLATE
317	113AP-1150001-1	LED COVER
318	2040201-02070-0	FLAT WASHER
319	2040101-02251-0	HEX.SOC.HD.BOLT
320	1120G-0080004-1	PCB ASSEMBLY
321	1133D-1044701-1	SPRING RETAINER
322	2040201-01050-0	FLAT WASHER

ITEM NO.	PART NO.	DESCRIPTION
323	2040101-01100-2	HEX.SOC.HD.BOLT
324	1135R-0084703-1	PROTECTIVE CUSHION
325	1135R-0084704-1	PROTECTIVE CUSHION
326	1135R-008A201-1	PROTECTIVE CUSHION
327	1135R-008A202-1	PROTECTIVE CUSHION
328	11324-0084707-1	FIXED PIN
329	2040302-29020-0	E - RING
401	1137A-0464703-1	COVER-SAFETY
402	2040100-03010-2	BOLT ASSY
403	11352-1854701-1	DRIVER GUIDE COVER A
404	11329-0964702-1	PIN
405	11303-1854701-1	DRIVER GUIDE
406	11323-1854701-1	BRACKET UNIT
407	2040100-02150-2	BOLT W/FLAT WASHER
408	11396-0080001-1	STEEL CHANNEL
409	1132W-1854701-1	MAGAZINE A
410	11397-1854701-1	GUIDE COVER
411	11397-1854702-1	GUIDE COVER A
412	2040100-03060-0	BOLT ASSY
413	2040103-02060-0	COUNTER SUNK SCREW
414	2040302-23010-0	E - RING
415*	11372-0080001-1	SPRING
416	1134L-0084701-1	BRACKET
417	11314-1854701-1	STAPLERS BRACKET
418	11247-1854701-1	PUSHER UNIT
419	1132W-1854702-1	MAGAZINE B
420	2040100-02060-0	BOLT ASSY
421	1131J-0084702-1	POSITIONING SHEET
422	11275-1854701-1	BRACKET UNIT
423	11310-1854701-1	DOOR LATCH
424	15302-0454701-1	TRIGGER VALVE STEM B SPRING
425	1130W-1854701-1	DOOR LATCH COVER
426	2040101-01020-0	HEX.SOC.HD.BOLT
427	2040500-01010-0	LOCK NUT
428	1133X-1854701-1	SPACER A
429	1137G-1854701-1	LINK ROD
430	11256-1854701-1	SAFETY B UNIT
431	2040401-04050-0	SPIRAL PINS

ITEM NO.	PART NO.	DESCRIPTION
432	11337-1394701-1	SAFETY SPRING
434	11393-0464704-1	ADJUST AXIE
435	11254-1854701-1	SAFETY A UNIT
436	2040100-02040-2	BOLT ASSY
437	11330-1854701-1	SAFETY
438	2040101-01040-2	HEX.SOC.HD.BOLT
439	2040201-01020-0	FLAT WASHER
440	1134K-1850001-1	SPRING